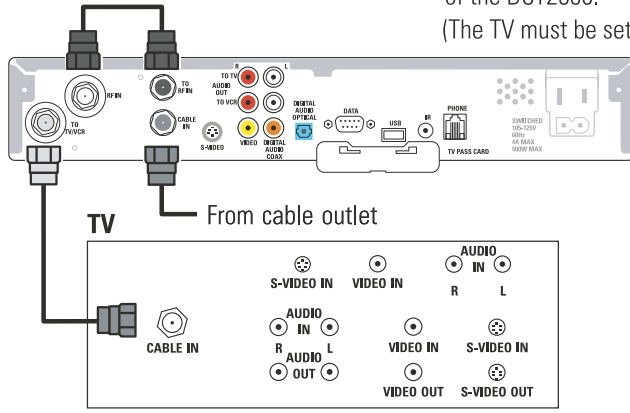


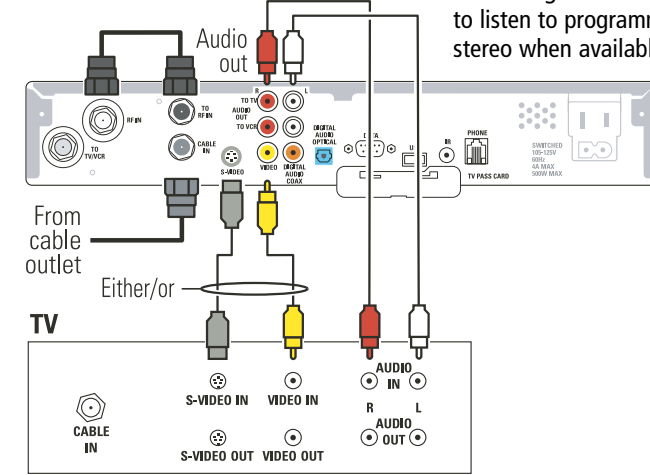
### Standard TV Cabling

This configuration provides all basic features of the DCT2500.  
(The TV must be set to channel 3.)



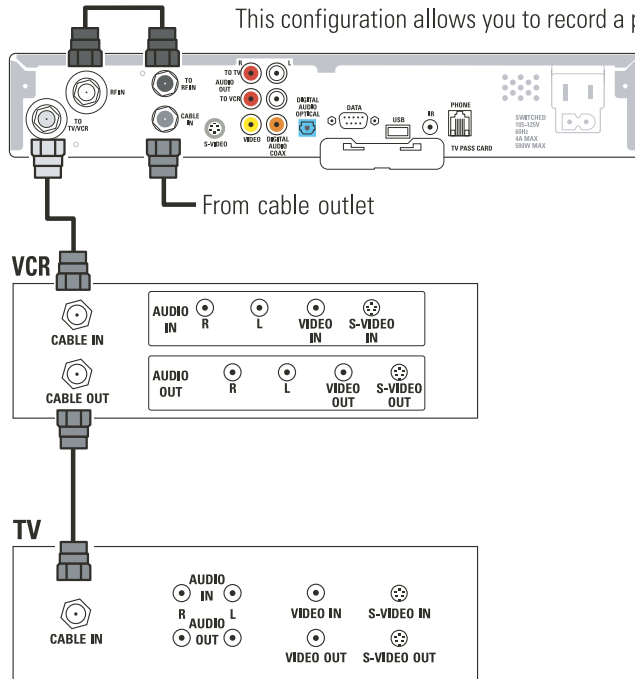
### Stereo TV Cabling\*

This configuration allows you to listen to programming in stereo when available.



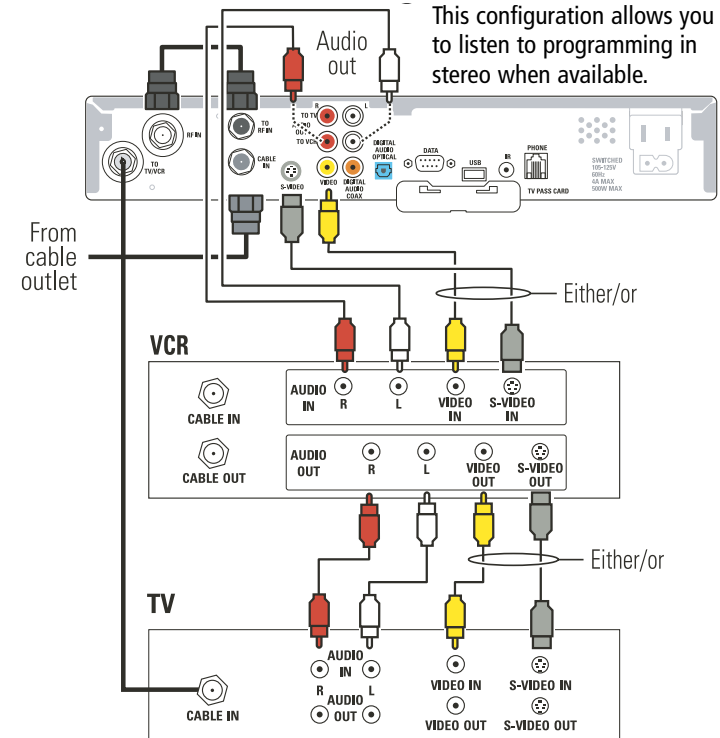
### Standard VCR/DVD Recorder Cabling

This configuration allows you to record a program.



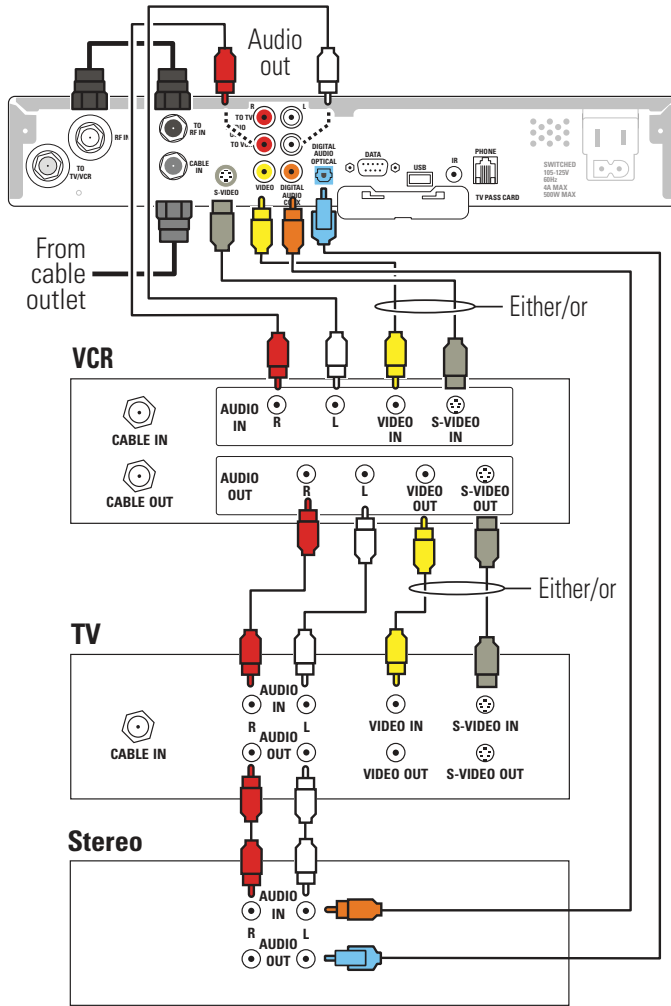
### Stereo VCR/DVD Recorder Cabling\*

This configuration allows you to listen to programming in stereo when available.



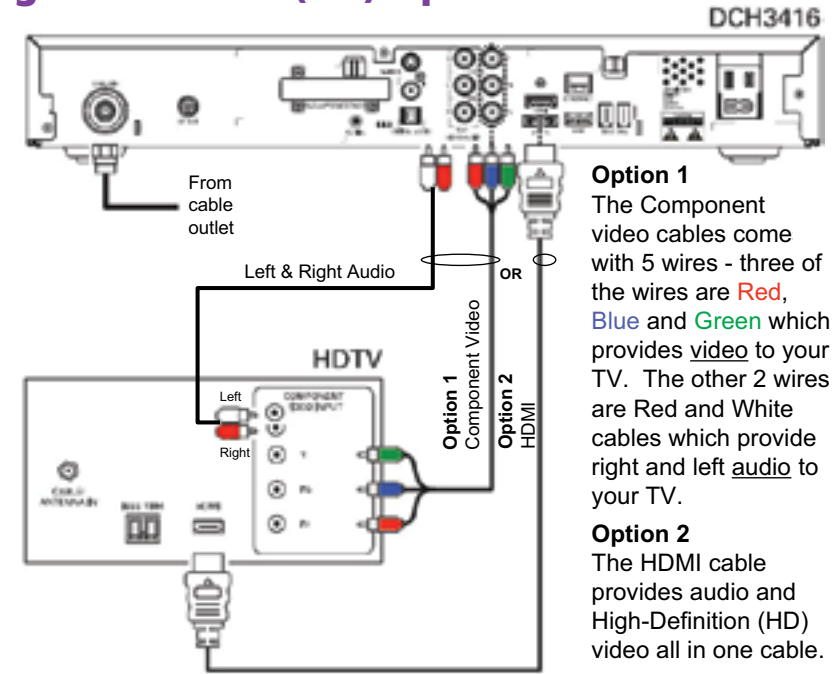
\*When connecting the video path, never connect stereo video and S-Video at the same time.

### Dolby Digital Cabling\*



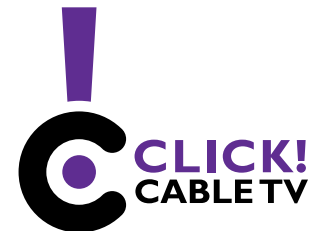
This configuration allows you to record and play a program in Dolby® Digital sound when available.

### High-Definition (HD) Options



**Option 1**  
The Component video cables come with 5 wires - three of the wires are Red, Blue and Green which provides video to your TV. The other 2 wires are Red and White cables which provide right and left audio to your TV.

**Option 2**  
The HDMI cable provides audio and High-Definition (HD) video all in one cable.



(253) 502-8900  
www.clickcabletv.com

\*To play Dolby Digital 5.1 sound through the receiver, connect the DCT2500 to the receiver using the DIGITAL AUDIO COAX or DIGITAL AUDIO OPTICAL connections. Audio R and L connections do not carry Dolby Digital 5.1. sound.